

# FITZROY MESH GUARD INSTRUCTION SHEET

This instruction is for the installation of the:

Part No: W4130-A

- FITZIBMG-B - Mesh Guard Fitzroy Inbuilt Natural Aspirated
- FITZPWRMG-B - Mesh Guard Fitzroy Powerflue

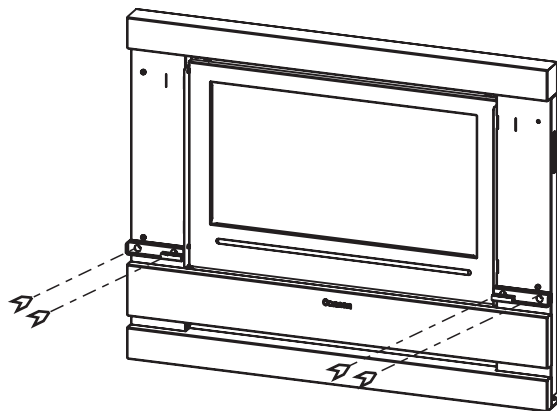


FIG 1 Removing glass brackets

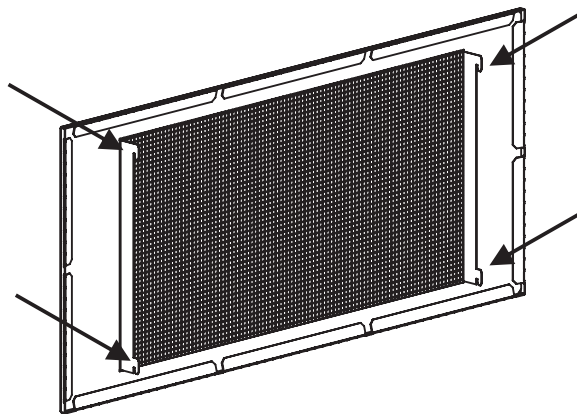


FIG 2 Mesh guard tabs

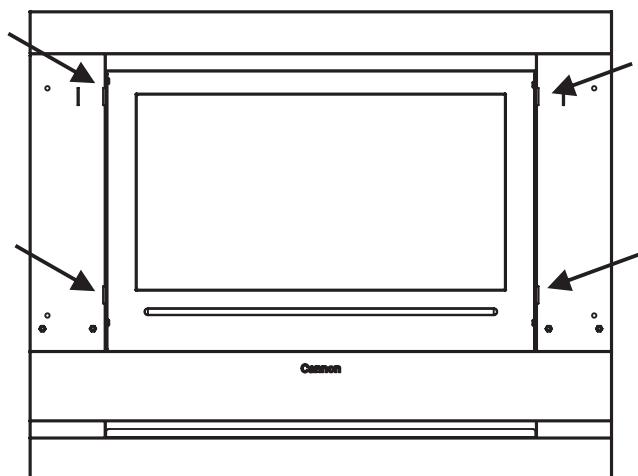


FIG 3 Fascia slots

## Installation Method

### Step 1

Install the heater as per the instructions that came with the heater.

### Step 2

Remove the brackets on the fascia that are used to mount the glass panel by undoing the four screws shown in FIG 1.

### Step 3

Position the mesh guard in front of the heater. Making sure that the four tabs on the back side of the mesh guard shown in FIG 2 are lined up with the slots on the fascia shown in FIG 3.

### Step 4

Gently slide the mesh into the fascia, making sure that the mesh guard does not damage the surface of the fascia. FIG 4 shows the mesh guard in place.

### Note:

It is the installers responsibility to take all necessary precautions to prevent damage to mesh and heaters finished surfaces while installing the mesh guard.

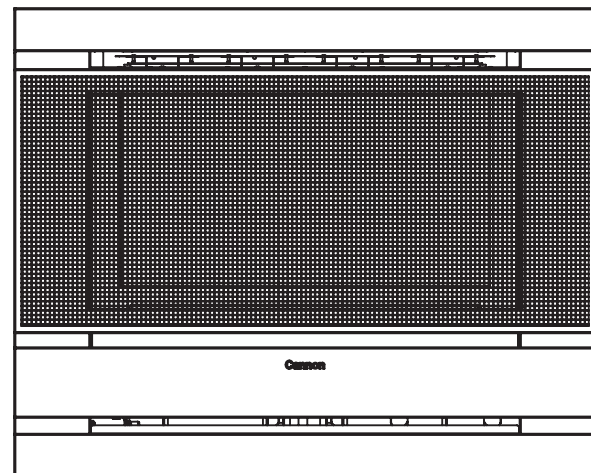


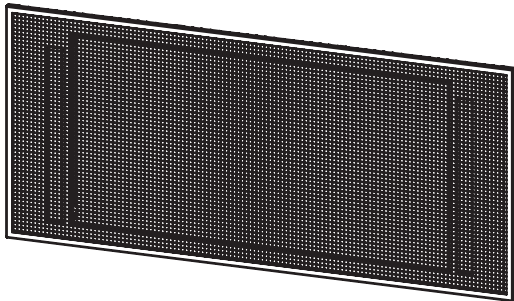
FIG 4 Mesh guard installed

# FITZROY MESH GUARD PACKAGING INSTRUCTIONS

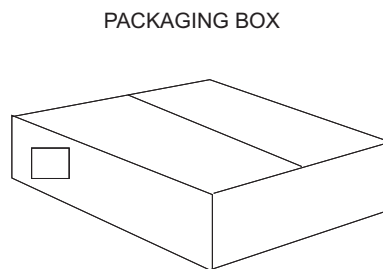
## Mesh Guard Fitzroy Inbuilt Natural Aspirated SALES CODE: FITZIBMG-B

**KIT COMPONENTS:**

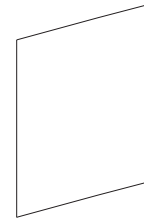
F3920	MESH FASCIA ASSEMBLY 2012 FITZROY	1 OFF
W4130	INSTRUCTION SHEET	1 OFF
F1131	SAMPFORD IXL TAPE	O/H
	PACKAGING BOX	1 OFF
	PACKAGING LABEL	2 OFF



F3920 MESH FASCIA ASSEMBLY 2012 FITZROY



PACKAGING LABEL  
F1131 SAMPFORD IXL TAPE

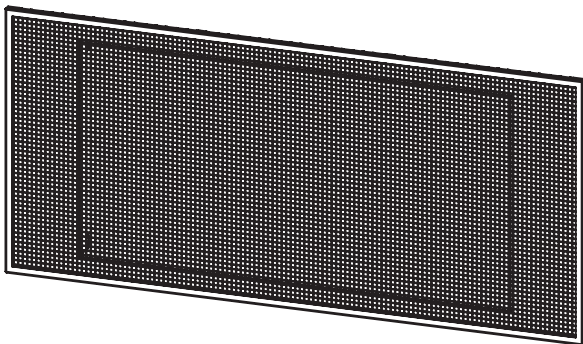


W4130 INSTRUCTION SHEET.

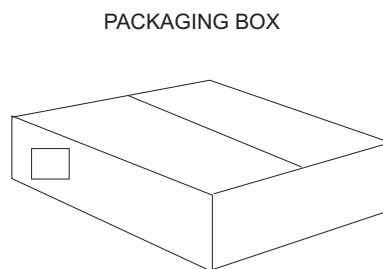
## Mesh Guard Fitzroy Powerflue Sales Code: FITZPWRMG-B

**KIT COMPONENTS:**

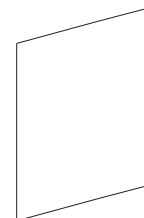
F3560	FITZROY MESH FASCIA ASSEMBLY	1 OFF
W4130	INSTRUCTION SHEET	1 OFF
F1131	SAMPFORD IXL TAPE	O/H
	PACKAGING BOX	1 OFF
	PACKAGING LABEL	2 OFF



F3560 FITZROY MESH FASCIA ASSEMBLY



PACKAGING LABEL  
F1131 SAMPFORD IXL TAPE



W4130 INSTRUCTION SHEET.