

INSTALLATION INSTRUCTION

THIS INSTRUCTION IS FOR THE INSTALLATION OF THE SINGLE PIECE HEATER SURROUND ON BUILT IN HEATERS.

PART No: F4062-A

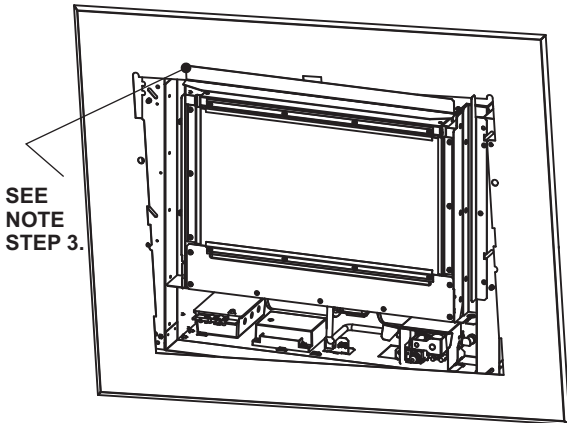


FIG 1.

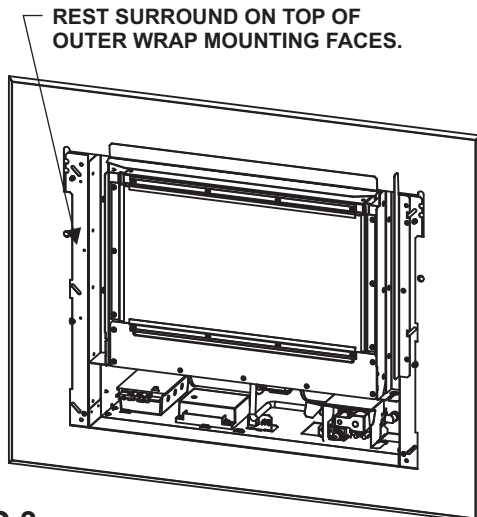


FIG 3.

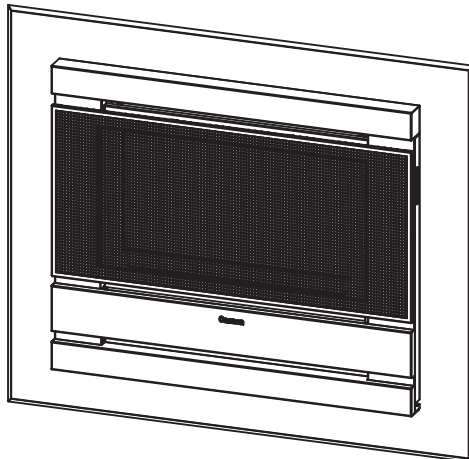


FIG 4.

INSTALLATION METHOD.

STEP 1.

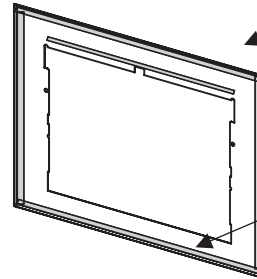
INSTALL THE HEATER INTO THE CAVITY IN THE NORMAL MANNER. WHEN PUSHING THE HEATER INTO CAVITY LEAVE, STOP ABOUT 50 - 100 mm FROM THE WALL.

STEP 2.

FIT SEALING STRIP TO HEATER IN NORMAL MANNER WITHOUT THE STRIP ACROSS THE TOP EDGE.

FIT SEALING STRIP TO SURROUND AROUND INSIDE ON OUTER EDGE JUST INSIDE THE FOLDED EDGE AND TO TOP EDGE OF OPENING.

SEE FIG 2.



ALWAYS FIT THE SEALING TAPE ACROSS THE INNER TOP CUT OUT OF THE SURROUND.

IF THE WALL SURFACE IS UNEVEN OR PROTECTION OF THE PAINTED WALL SURFACE IS DESIRED FIT THE SEALING TAPE TO THE INSIDE (WALL SIDE) AND PLACE IT JUST INSIDE THE FOLDED EDGE. (THIS WILL INTRODUCE A GAP BETWEEN THE WALL AND THE SURROUND)

FIG 2.

STEP 3.

TAKING CARE NOT TO DAMAGE SURROUND, FIT THE SURROUND OVER WRAP RETAINER AND BETWEEN MOUNTING SURFACE OF OUTER WRAP AS SHOWN. THEN CAREFULLY SWING SURROUND DOWN OVER HEATER ONTO THE HEATER MOUNTING FACES. ADJUST TO A CENTRAL POSITION.

SEE FIG 1. FIG 3. AND CARE NOTE.

STEP 4.

PUSH THE HEATER BACK AGAINST THE WALL AND FIX AS NORMAL THROUGH WRAP MOUNTING FACES. ENSURE A SEAL IS PROVIDED BETWEEN HEATER AND CAVITY TO PREVENT COMBUSTION PRODUCTS ENTERING THE ROOM.

SEE FIG 3.

STEP 5.

FIT GLASS SURROUND AND FAN CHAMBER FASCIA TO HEATER AS PER INSTRUCTION BOOKLET.

SEE FIG 4.

IT IS THE INSTALLERS RESPONSIBILITY TO TAKE ALL NECESSARY PRECAUTION TO PREVENT DAMAGE TO THE SURROUND AND HEATERS FINISHED SURFACES WHILE INSTALLING SURROUND.