

Figure 3

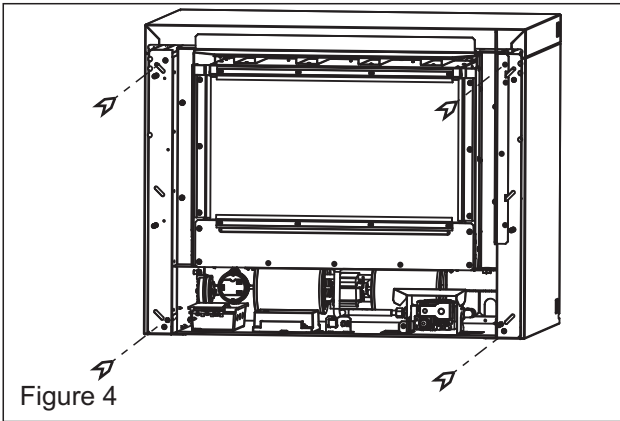


Figure 4

**DON'T RISK YOUR APPLIANCE WARRANTY**  
 ONLY A LICENSED PERSON WILL GIVE YOU A COMPLIANCE CERTIFICATE, SHOWING THAT THE WORK COMPLIES WITH ALL THE RELEVANT STANDARDS.

AND ONLY A LICENSED PERSON WILL HAVE INSURANCE PROTECTING THEIR WORKMANSHIP FOR 6 YEARS.

SO MAKE SURE YOU USE A LICENSED PERSON TO INSTALL THIS APPLIANCE AND ASK FOR YOUR COMPLIANCE CERTIFICATE TO ENSURE THE MANUFACTURERS APPLIANCE WARRANTY WILL BE HONOURED.

Should you require assistance or further information please contact your Cannon distributor.

Date Installed: .....

Installed By: .....

Compliance Certificate No .....

For service to this appliance or spare parts contact the **CANNON** distributor:

**Sampford IXL - Spare Parts**

Phone: 1300 727 421

Fax: 1300 727 425

Email: aftersalesservice@sampfordixl.com.au

**Sampford IXL**  
**Cannon**

**Console Kit to suit  
 Power Flue Units**

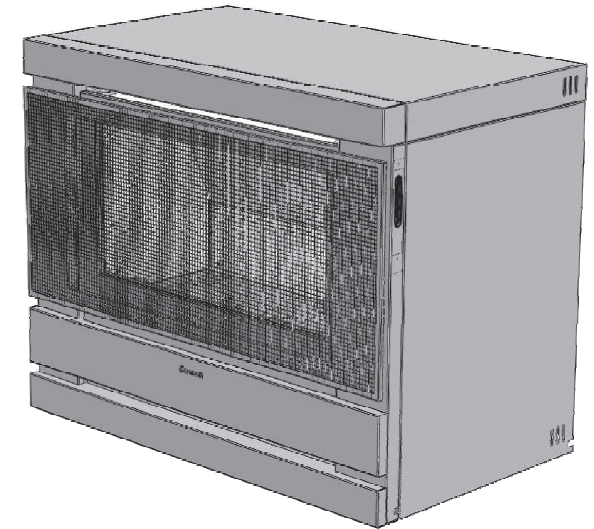
Part Number: F4055\_A

**INSTALLATION INSTRUCTIONS**

# Cannon

**Console Kit to suit  
 Power Flue Units  
 FITZIB-PMEXx  
 CANTIB-PDEEx**

x = COLOUR



**PLEASE READ THIS MANUAL  
 BEFORE INSTALLING AND  
 USING THIS PRODUCT.**

Please leave instructions with the owner

IAPMO-R&T



GasMark

**GMK10030  
 AS4553:2008**

## INSTALLATION NOTES

Please follow the following installation instructions and Figures 1 to 4 carefully. Remove the front fascia, refer to heater installation manual. For gas connection and flueing instructions refer to the heater installation manual.

Your Cannon Console Kit is designed for easy installation with your Cannon Heater by a Licensed Service person only. The heater is for installation with the supplied Flue and Terminal only.

Your Cannon Console Kit will contain the following components;

1. TOP PANEL	1 OFF
2. LHS PANEL	1 OFF
3. RHS PANEL	1 OFF
4. SELF TAPPING SCREWS	6 OFF
5. M5 SCREWS	4 OFF

Please note, the rear of **THE HEATER MUST BE 50MM FROM ANY COMBUSTIBLE SURFACE**, this is achieved within the depth of the console kit. Do not let combustible materials encroach into the console kit body. The heater may be installed on a timber floor. The heater is **NOT TO BE INSTALLED ON TOP OF CARPET** or similar floor coverings.

### Step 1

Assemble the two side panels to the top panel using the six self tapping screws provided, taking care not to over tighten the screws. **Figure 1.**

### Step 2

Position the console kit in the required position against the wall. For non-hardwired installations, pass the power cord through the cable relief at the rear of the heater before positioning the console kit.

### Step 3

Ensuring that the side panels are vertical, screw the back flange of the side panels to the wall. At least two fasteners should be used on the top and bottom holes on each side. For added security three fasteners can be used on each side.

Please note: Fasteners are not provided in the kit for this purpose. The hole size may need to be enlarged depending on the type of fastener used. **Figure 2.**

### Step 4

Screw or bolt the bottom flange to the floor. At least one fastener should be used on the front hole. All three holes can be used for added security.

Please note: fasteners are not provided in the kit for this purpose. The hole size may need to be enlarged depending on the type of fastener used. **Figure 3.**

### Step 5

Fit the flue and air intake pipes to the heater as per the installation instructions.

### Step 6

Slide the heater into the console kit making sure not to damage the flue pipe or the power cable in the process.

Screw the M5 screws through the front flange of the heater and into the nutserts on the console kit to secure the heater. **Figure 4.**

### Step 7

Connect the gas to the heater and test for integrity. Refer to Heater Installation Instructions.

### Step 8

To complete the Installation, fit the fascia on the heater as you would normally. Refer to heater Installation Instructions.

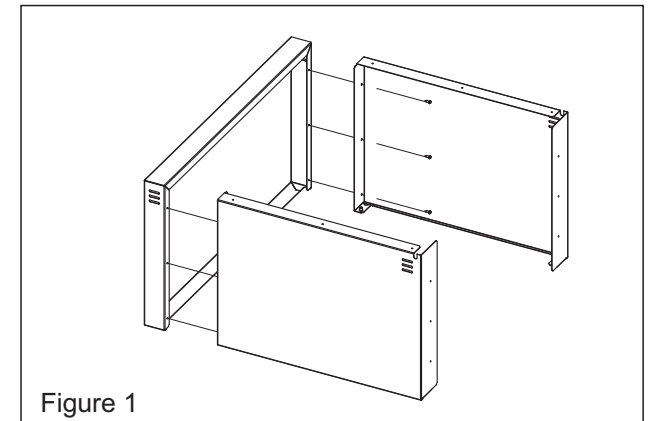


Figure 1

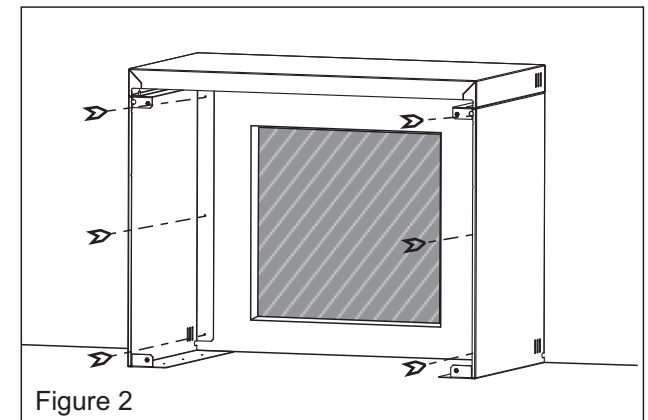


Figure 2