

This kit includes:

- 1 x PVC tube 150mm dia x 1m
- 2 x Expanding flexible aluminium tube 3.6 m (expanded)
- 1 x Flue support bracket
- 2 x Flue support tubes

This kit also requires components supplied with Cannon Powerflue heater:

- 1 x S/S Flue terminal
- 1 x S/S tube 50mm dia x 100mm long
- 1 x PVC vent cowl(air inlet)
- 4 x Hose clamps 50mm dia.
- 1 x Cable Tie (fixing Inlet tube to flue)
- 1 x Tube of silicon sealant
- 1 x Condensate hose 12mm ID x 1.5m
- 1 x hose clamp 20mm dia.

Installer will have to supply

- 50mm dia PVC DWV tubing
- Appropriate flashing or Deck tight roof gland

Don't Risk Your Appliance Warranty

Only a licensed person will give you a compliance certificate, showing that the work complies with all the relevant standards.

Only a licensed person will have insurance protecting their workmanship for 6 years.

So make sure you use a licensed person to install this appliance and ask for your compliance certificate to ensure the manufacturers appliance warranty will be honoured.

Should you require assistance or further information please contact your Cannon distributor.

Date Installed:

Installed By:

Compliance Certificate No

For service to this appliance or spare parts contact the **CANNON** distributor:

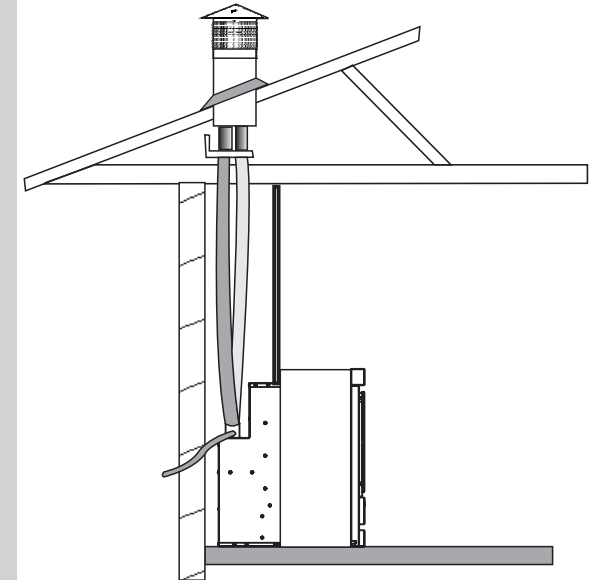
Sampfords IXL - Spare Parts

Phone: 1300 727 421
 Fax: 1300 727 425
 Email: aftersaleservice@sampfordsixl.com.au

Sampfords IXL
Cannon
Extended Flue Kit

Part Number:
F3761-2_C

INSTALLATION INSTRUCTIONS



This manual is to be read in conjunction with the powerflue installation instructions.

Please leave instructions with the owner



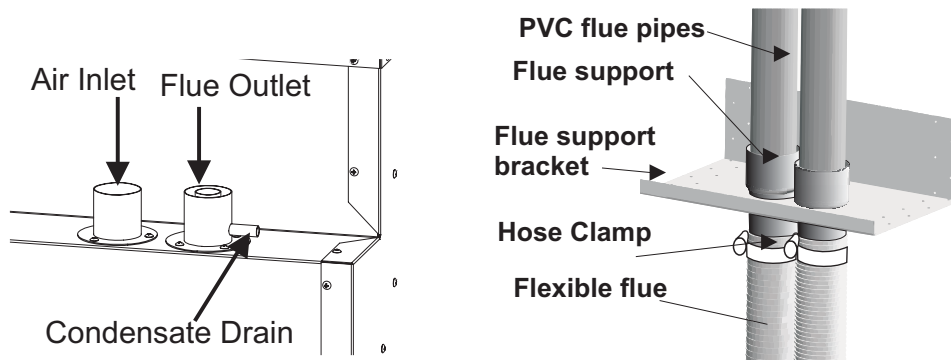
GMK10030
AS4553:2008

INSTALLATION NOTES

The extended flue kit allows for the flue & air intake to be installed vertically through the roof. Where the total flue length is in excess of 3m, 50mm PVC DWV can be added to the kit. This kit also allows for other types of installations where the standard flue is not suitable. Please contact Sampford IXL Technical support for advice on those types of installations.

Installation Method

1. Install the flue outlet and air inlet pipes on to the heater as described in the installation section of the heater manual.
2. Fully extend the flexible flue pipes and route them up to the ceiling cavity. Mark which pipe is connected to the flue outlet as this hose must eventually be connected to the correct Flue support tube.
3. The *Flue support bracket* is to be installed inside the roof cavity in an accessible location below where the flue terminal is to be installed. This location must also be within 3 m of the heater.
4. Fix the 160mm dia PVC tube so that a minimum of 600 mm is extended past the roof and also a minimum distance of 500mm from any vertical wall. Ensure that the tube is securely mounted. This pipe should be mounted vertically. Use suitable flashing or deck tight a gland seal to ensure the roof penetration is sealed.
5. Measure the length of PVC pipe required for the flue connection. This PVC pipe should be 150mm less than distance from top of the 150mm dia PVC Flue tube to the mounting bracket.
6. Measure length of air intake PVC pipe. Pipe should extend a minimum of 25mm into the 160mm dia Flue tube. Fit the PVC vent cowl on to this shorter PVC tube.
7. Place the 2 *Flue support tubes* in the Flue support bracket. The 50mm PVC tubes required for the final flue connection should fit snugly into the Flue support tubes.
8. Place a liberal amount of silicon sealant to the inside of the flexible flue pipe which is to be mounted onto the flue outlet support tube.
9. Slip the flexible aluminium hose over the flue outlet with a hose clamp. Tighten the hose clamp to ensure the hose is securely attached to the flue outlet.
10. The flexible aluminium hose is attached to the air inlet in the same manner, however there is no need to apply the silicon sealant on the air inlet.
11. The hose supplied is fitted to the condensate drain. This should be clamped in place with the supplied clamp. Route the hose to the outside of the house. Ensure that the condensate tube is routed so that it does not rise above the outlet on the heater. Refer to heater manual also)



Flue terminal with 150dia x 1m PVC pipe. Rain cowl must not be removed for vertical installations.

50mm s/s flue adaptor.

50mm dia PVC pipe cut to suit installation (not supplied).

Flexible Aluminium hosing 2 off @ 3mts fully expanded.

Hose clamps x 4 off

