

**DON'T RISK YOUR APPLIANCE WARRANTY**  
ONLY A LICENSED PERSON WILL GIVE YOU A COMPLIANCE CERTIFICATE, SHOWING THAT THE WORK COMPLIES WITH ALL THE RELEVANT STANDARDS.

AND ONLY A LICENSED PERSON WILL HAVE INSURANCE PROTECTING THEIR WORKMANSHIP FOR 6 YEARS.

SO MAKE SURE YOU USE A LICENSED PERSON TO INSTALL THIS APPLIANCE AND ASK FOR YOUR COMPLIANCE CERTIFICATE TO ENSURE THE MANUFACTURERS APPLIANCE WARRANTY WILL BE HONOURED.

## INSTALLATION INSTRUCTIONS

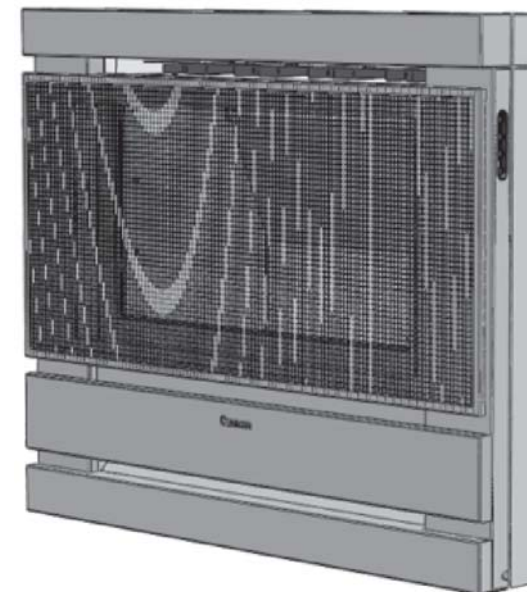
# Cannon

## 50mm Spacer Kit to suit

Fitzroy Inbuilt

Canterbury Inbuilt

Powerflue Inbuilt heaters



Should you require assistance or further information please contact your Cannon distributor.

Date Installed: .....

Installed By: .....

Compliance Certificate No .....

For service to this appliance or spare parts contact the **CANNON** distributor:

**Sampford IXL - Spare Parts**

Phone: 1300 727 421

Fax: 1300 727 425

Email: [aftersalesservice@sampfordixl.com.au](mailto:aftersalesservice@sampfordixl.com.au)

**Sampford IXL**

**Cannon**

**50mm Spacer Kit**

Part Number:  
F3753\_C

IAPMO-R&T



**GMK10025, GMK10030,  
GMK10112  
AS4553:2008**

**PLEASE READ THIS MANUAL  
BEFORE INSTALLING AND  
USING THIS PRODUCT.**

Please leave instructions with the owner

## INSTALLATION NOTES

Please follow the following installation instructions and Figures 1 to 3 carefully. Remove the front fascia, refer to heater installation manual. For gas connection and flueing instructions refer to the heater installation manual.

Your Cannon Spacer Kit is designed for easy installation with your Cannon Heater by a Licensed Service person only. The heater is for installation with the supplied Flue and Terminal only.

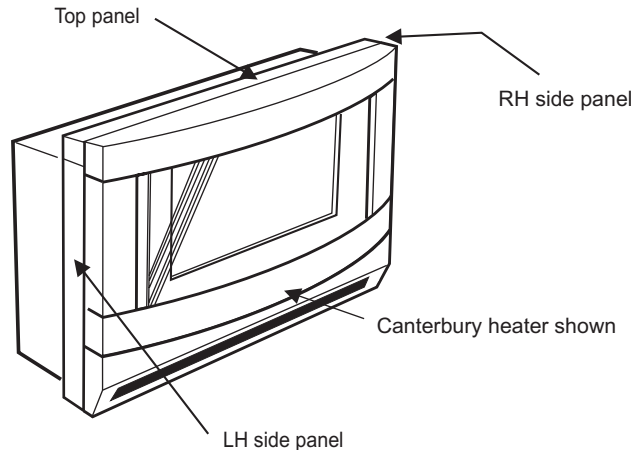
1. Remove Spacer components from the box and check all the following are present.  
Note: Different colour options are identified by a dash (-) suffix at the end of the Spacer panel part number;  
-1 denotes black finish  
-2 denotes platinum finish (Only available on Fitzroy Inbuilt and Powerflue models)  
*Screws are not painted*

### FOR CANTERBURY MODELS

F2642	TOP PANEL	
F3703	LHS PANEL	
F3704	RHS PANEL	
F1122	Screw #8 x 1/2" Self tapping screw	11 OFF

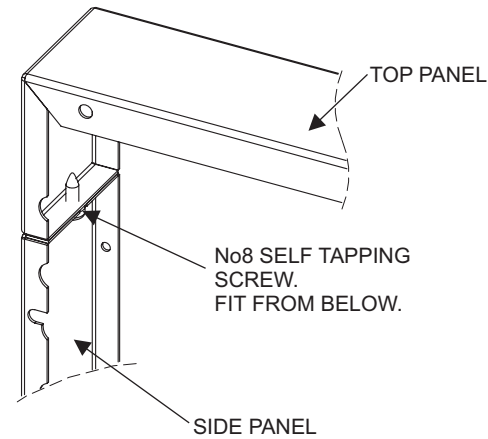
### FOR FITZROY MODELS

F3702	TOP PANEL	
F3703	LHS PANEL	
F3704	RHS PANEL	
F1122	Screw #8 x 1/2" Self tapping screw	11 OFF



**FIG 1.**

Canterbury inbuilt heater with heater surround in position.



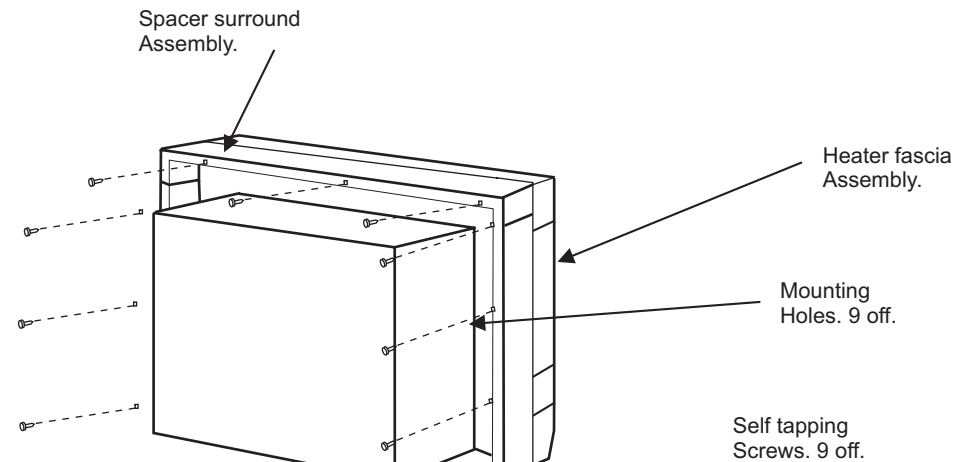
**Figure 2:** Spacer assembly

### **SPACER SURROUND ASSEMBLY.**

1. Secure RH and LH side panels to top panel using #8 self tapping screws (Fig 2).

### **SPACER SURROUND ASSEMBLY/HEATER FASCIA ASSEMBLY.**

2. Locate mounting holes on the rear of the heater fascia assembly.
3. Fit the heater surround assembly onto the heater from the rear (Fig 3).
4. Secure the surround into position from the rear using the #8 x 3/8" self tapping screws supplied (Fig 3).



**FIG 3.**