

DON'T RISK YOUR APPLIANCE WARRANTY
ONLY A LICENSED PERSON WILL GIVE YOU A COMPLIANCE CERTIFICATE, SHOWING THAT THE WORK COMPLIES WITH ALL THE RELEVANT STANDARDS.

AND ONLY A LICENSED PERSON WILL HAVE INSURANCE PROTECTING THEIR WORKMANSHIP FOR 6 YEARS.

SO MAKE SURE YOU USE A LICENSED PERSON TO INSTALL THIS APPLIANCE AND ASK FOR YOUR COMPLIANCE CERTIFICATE TO ENSURE THE MANUFACTURERS APPLIANCE WARRANTY WILL BE HONOURED.

INSTALLATION INSTRUCTIONS

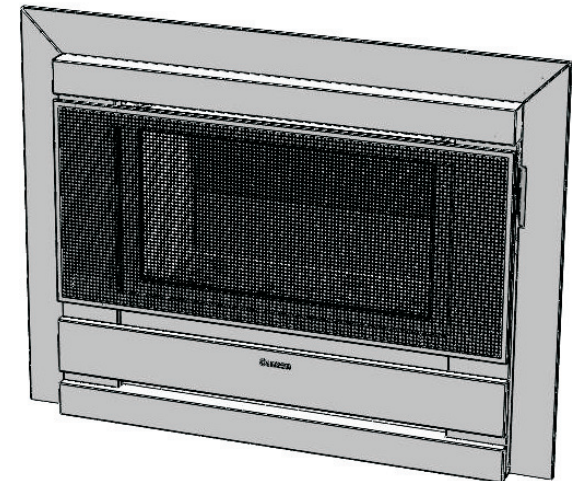
Cannon

3 Sided Surround Kit to suit

Fitzroy Inbuilt

Canterbury Inbuilt

Powerflue Inbuilt heaters



Should you require assistance or further information please contact your Cannon distributor.

Date Installed:

Installed By:

Compliance Certificate No

For service to this appliance or spare parts contact the **CANNON** distributor:

Sampford IXL - Spare Parts

Phone: 1300 727 421

Fax: 1300 727 425

Email: aftersaleservice@sampfordixl.com.au

Sampford IXL
Cannon

3 Sided Surround Kit

Part Number:
F3733_C

IAPMO-R&T



Gmk10025
& Gmk10030
AS4553:2008

**PLEASE READ THIS MANUAL
BEFORE INSTALLING AND
USING THIS PRODUCT.**

Please leave instructions with the owner

INSTALLATION NOTES

Please follow the following installation instructions and Figures 1 to 3 carefully. Remove the front fascia, refer to heater installation manual. For gas connection and flueing instructions refer to the heater installation manual. Your Cannon Surround Kit is designed for easy installation with your Cannon Heater by a Licensed Service person only. The heater is for installation with the supplied Flue and Terminal only.

1. Remove surround components from the box and check all the following are present.
Note: Different colour options are identified by a dash (-) suffix at the end of the surround panel part number;
 - 1 denotes black finish
 - 2 denotes platinum finish (Only available on Fitzroy Inbuilt and Powerflue models)
 - 3 denotes stainless steel finish (Only available on Fitzroy models)

Screws are not painted

FOR CANTERBURY MODELS

- F3711 TOP PANEL
- F3708 LHS PANEL
- F3709 RHS PANEL
- F2115 No8 x 3/8" SELF TAPPING SCREWS 13 OFF

FOR FITZROY MODELS

- F3707 TOP PANEL
- F3708 LHS PANEL
- F3709 RHS PANEL
- F2115 No8 x 3/8" SELF TAPPING SCREWS 13 OFF

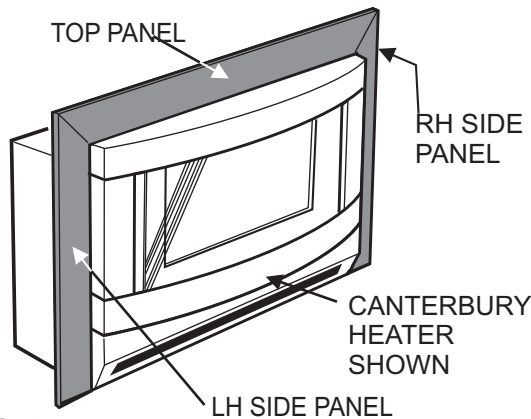


FIG 1.
Canterbury inbuilt heater with surround in position.

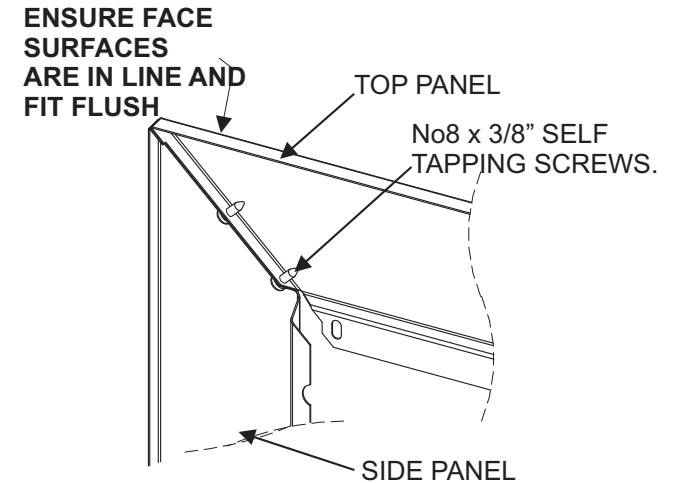


FIG 2.
Screw surround panels together.

2. Secure RH and LH side panels to TOP panel at 45 degree corners. Use (2 off) No8 x 3/8" self tapping screws each side. **See Fig 2.**

3. Locate mounting holes on the rear of the heater fascia. Align the mounting holes and secure surround into position. Use No8 x 3/8" self tapping screws. **See Fig 3.**

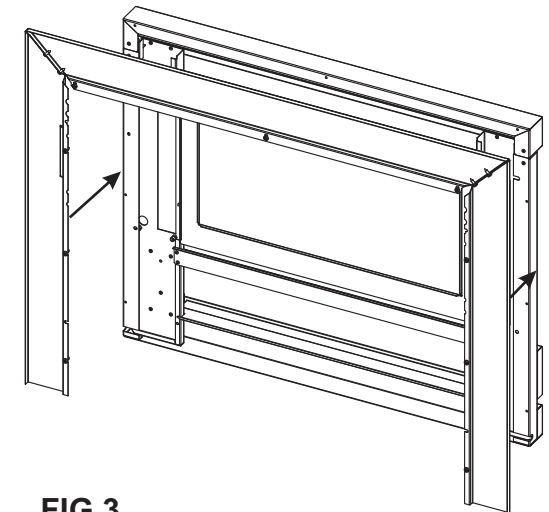


FIG 3.
Install surround on rear of fascia