

Figure 4

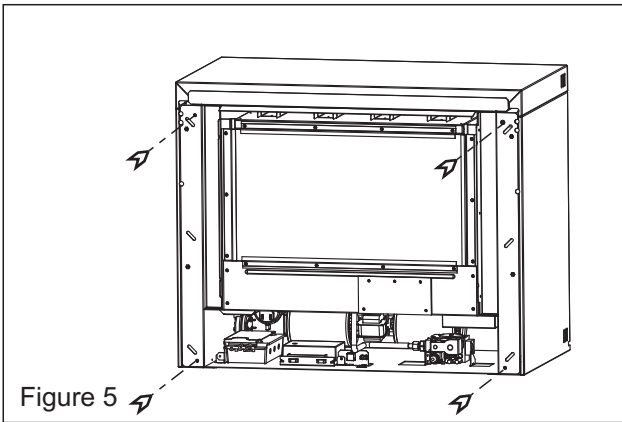


Figure 5

DON'T RISK YOUR APPLIANCE WARRANTY
 ONLY A LICENSED PERSON WILL GIVE YOU A COMPLIANCE CERTIFICATE, SHOWING THAT THE WORK COMPLIES WITH ALL THE RELEVANT STANDARDS.

AND ONLY A LICENSED PERSON WILL HAVE INSURANCE PROTECTING THEIR WORKMANSHIP FOR 6 YEARS.

SO MAKE SURE YOU USE A LICENSED PERSON TO INSTALL THIS APPLIANCE AND ASK FOR YOUR COMPLIANCE CERTIFICATE TO ENSURE THE MANUFACTURERS APPLIANCE WARRANTY WILL BE HONOURED.

Should you require assistance or further information please contact your Cannon distributor.

Date installed:

Installed by:

Compliance Certificate No

For service to this appliance or spare parts contact the CANNON distributor:

Sampford IXL - Spare Parts
 Phone: 1300 727 421
 Fax: 1300 727 425
 email: aftersalesservice@sampfordixl.com.au

Sampford IXL
Cannon
Console Kit to suit
Fitzroy Inbuilt

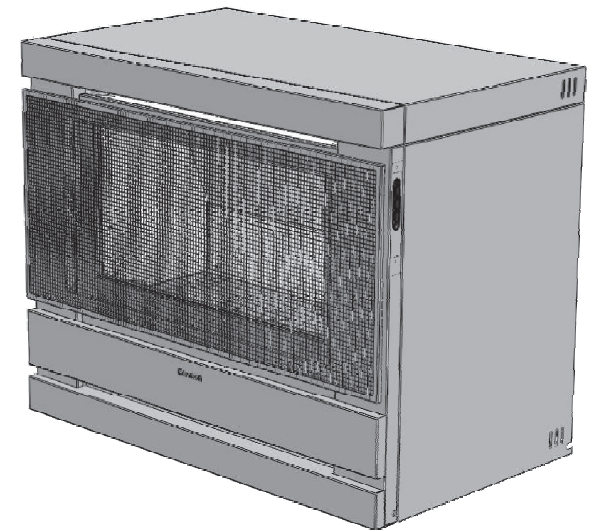
Part No: F3730
 Revision C

INSTALLATION INSTRUCTIONS

Cannon

Console Kit to suit Fitzroy Inbuilt

FITZIB-SDENB
 FITZIB-SDENP



**PLEASE READ THIS MANUAL
 BEFORE INSTALLING AND
 USING THIS PRODUCT.**

Please leave instructions with the owner



Gmk10025
AS4553:2008

INSTALLATION NOTES

Please follow the following installation instructions and Figures 1 to 5 carefully. Remove the front fascia, refer to heater installation manual. For gas connection and flueing instructions refer to the heater installation manual.

Your Cannon Console Kit is designed for easy installation with your Cannon Heater by a Licensed Service person only. The heater is for installation with the supplied Flue and Terminal only.

Your Cannon Console Kit will contain the following components;

1. TOP PANEL	1 OFF
2. LHS PANEL	1 OFF
3. RHS PANEL	1 OFF
4. SELF TAPPING SCREWS	6 OFF
5. M5 SCREWS	4 OFF
6. SEALING STRIP	2.2 M
7. EXTENDED FLUE SPIGOT	1 OFF

COMBUSTIBLE SURFACE, this is achieved within the depth of the console kit. Do not let combustible materials encroach into the console kit body. The heater may be installed on a timber floor. The heater is **NOT TO BE INSTALLED ON TOP OF CARPET** or similar floor coverings.

Step 1

Assemble the two side panels to the top panel using the six self tapping screws provided, taking care not to over tighten the screws. Fit the sealing strip to the back edges of the panels. **Figure 1.**

Step 2

Position the console kit in the required position against the wall. For non-hardwired installations, pass the power cord through the cable relief at the rear of the heater before positioning the console kit.

Step 3

Ensuring that the side panels are vertical, screw the back flange of the side panels to the wall. At least two fasteners should be used on the top and bottom holes on each side. For added security three fasteners can be used on each side. Please note: Fasteners are not provided in the kit for this purpose. The hole size may need to be enlarged depending on the type of fastener used. **Figure 2.**

Step 4

Screw or bolt the bottom flange to the floor. At least one fastener should be used on the front hole. All three holes can be used for added security.

Please note: fasteners are not provided in the kit for this purpose. The hole size may need to be enlarged depending on the type of fastener used. **Figure 3.**

Step 5

Fit the extended flue spigot by removing the flue spigot or flue cover fitted to the heater. Screw the extended flue spigot into place using the self tapping screws removed from the heater. **Figure 4.**

Step 6

Slide the heater into the console kit making sure not to damage the power cable in the process.

Screw the M5 screws through the front flange of the heater and into the nutserts on the console kit to secure the heater. **Figure 5.**

Step 7

Connect the gas to the heater and test for integrity. Refer to Heater Installation Instructions.

Step 8

To complete the Installation, fit the fascia on the heater as you would normally. Refer to heater Installation Instructions.

